

McKINNEY Hinge Catalog

Full Mortise Bearing Hinges

Five Knuckle Standard Weight Series

McKINNEY

1-800-346-7707

www.mckinneyhinge.com

TA2314

Stainless steel base or available in brass or bronze base material polished and plated or furnished in prime or powder coat.

TA2714

Steel base polished and plated or furnished in prime or powder coat finish.

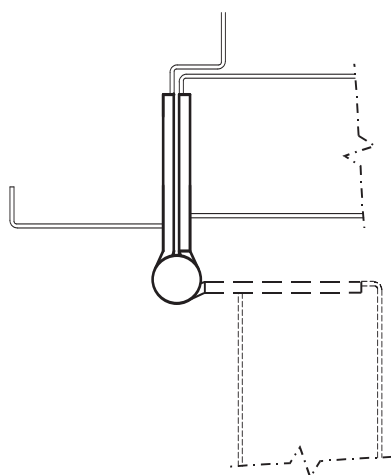


Available Options:

- NRP (non-removable pin)
- TB (ball bearing)
- TCA (concealed bearing)
- RC (round corner - 1/4" radius furnished unless specified otherwise)
- HT (hospital tip)
- BT (ball tip)
- ST (steeple tip)
- SSF (safety stud feature)
- QC (ElectroLynx hinge) 2, 4, 6, 8, 10 or 12 wire available
- CC (concealed circuit) 4, 6 or 8 wire available*
- CS- (concealed switch - handing required)*
- MM (magnetic monitoring)
- "S" (sherardizing, our additional rust resistant base under prime coat on steel base)
- Slip In (Type 1 or Type 2)
- Beveled Edge (where doors are beveled on hinge side specify TA4314 or TA4714)

* Not available in Stainless

APPLICATION



Available Sizes

Inches	MM	Gauge
3 1/2 x 3 1/2	88.9 x 88.9	.123
4 x 4	101.6 x 101.6	.130
4 1/2 x 4	114.3 x 101.6	.134
4 1/2 x 4 1/2	114.3 x 114.3	.134
5 x 4 1/2	127 x 114.3	.146
5 x 5	127 x 127	.146
6 x 6*	152.4 x 152.4	.160

*Not available in Stainless

Packing:

All standard weight full mortise non-ferrous hinges are packed with all machine x 1/2 wood screws. Steel hinges (except USP) are packed all machine x all wood screws. For special screws consult price book on availability.

ANSI Cross Reference:

A2112 Brass, Bronze
A5112 Stainless
A8112 Steel

Recommended for standard weight, medium frequency doors, or doors with closing devices.

McKinney®

ASSA ABLOY

Search our catalog

Product Description

Catalog No:

Go



Product Information | Templates | News | Sales & Service | Contact Us | Home

Click Here For Catalog PDF's [→](#) Hinge • Thresholds and Weatherstrip • Architectural Door Trim

ARCHITECTURAL HINGES

Decorative Tips

It's all about details, details, details. Even the smallest accessories matter. Dress up your hinge by adding decorative tips to enhance your design. Available for the two or three knuckle hinge, in flat or round, these tips will give the finishing touches to your decorative suite.

Classic Tips

Offered with the three or five knuckle hinge, keep that time-honored, traditional look with McKinney's classic ball and steeple tips.



ST - Steeple Tip

BT - Ball Tip

Home

Two Knuckle Hinge



The cleanest of all hinge types. The two knuckle hinge is simple yet sophisticated.

- Standard weight
- 4 x 4, 4.5 x 4, 4.5 x 4.5, 5 x 5 sizes available
- Plain bearing contains anti-friction component
- Brass or stainless steel
- Electrified options available
 - ElectroLynx® quick connect
 - Concealed circuit
- Handed

Available in:



FT - Flat Tip



RT - Round Tip

Three Knuckle Hinge



Reliable and classy. The three knuckle hinge provides that little extra detail.

- Standard weight
- 4 x 4, 4.5 x 4, 4.5 x 4.5, 5 x 5 sizes available
- Plain bearing contains anti-friction T bushing at both joints
- Brass or stainless steel
- Electrified options available
 - ElectroLynx® quick connect
 - Concealed circuit
- Field reversible

Available in:



FT - Flat Tip



RT - Round Tip

PDF of reference chart with full offering

NOTE: We reserve the right, without notice, to make changes in specifications, construction, design, and details at any time in such manner as we may consider necessary or advisable. Corrections to reflect any such changes shall be included in subsequent updates to this website.