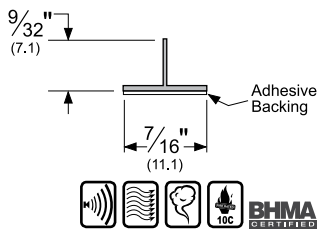


Adhesive Astragal/Meeting Stile Seals

- The **S771** and **S772** astragal/meeting stile seals can be installed on virtually any pair of doors where sound attenuation is required. These products seal the opening to prevent heat loss, retard the passage of smoke, and act as a weatherization product
- Excellent resistance to compression set, particularly at elevated temperatures and for extended periods of time
- Stays flexible between -58°F and 450°F with very high resistance to flex fatigue
- Maintains a low closing force
- Easy installation requires no mechanical fasteners; can be cut to size in the field

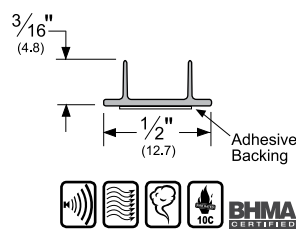
S771_

AVAILABLE FINISHES: **C, D, W**
AVAILABLE LENGTHS: 7', 8', 9', 10'



S772_

AVAILABLE FINISHES: **D, W**
AVAILABLE LENGTHS: 7', 8', 10'



Notes For All Adhesive Gasketing:

Storage and shelf life: All adhesive gaskets have a limited shelf life. This product must be installed within 6 months of purchase and must be stored between 50°F and 100°F.

For further notes/details, please see Adhesive Gasketing section.

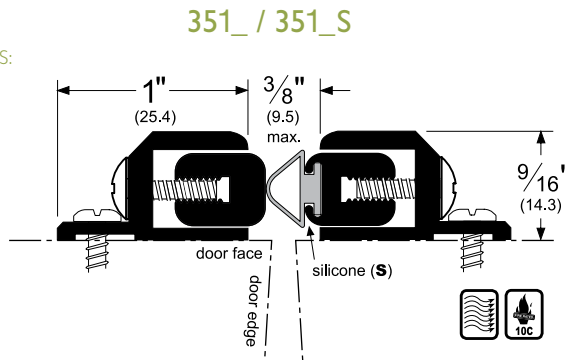
Adjustable Astragals

- Available in 84", 96" and 120" lengths
- When used as split astragals on double doors, two lengths must be ordered: one for each door

351_S

AVAILABLE FINISHES:
B, C, D, G

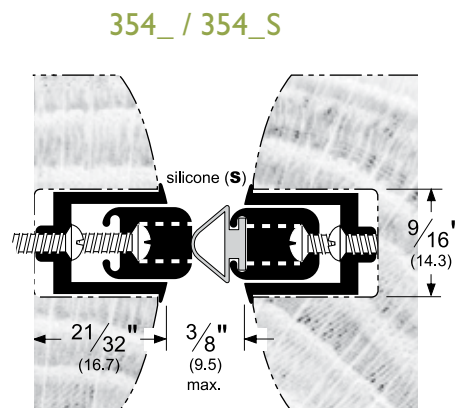
- Surface applied



354_S

AVAILABLE FINISHES:
B, C, D, G

- Fully mortised



NOTE: If you require split astragals in a metal to gasket configuration, you must order each leaf separately with your choice of insert in the tables below

Alternate Inserts For 351

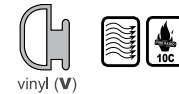
351_PK

AVAILABLE FINISHES:
B, C, D, G



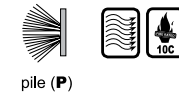
351_V

AVAILABLE FINISHES:
B, C, D, G



351_P

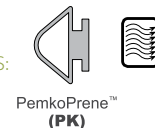
AVAILABLE FINISHES:
B, C, D, G



Alternate Inserts For 354

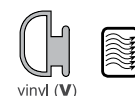
354_PK

AVAILABLE FINISHES:
B, C, D, G



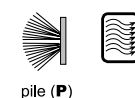
354_V

AVAILABLE FINISHES:
B, C, D, G



354_P

AVAILABLE FINISHES:
B, C, D, G



AVAILABLE FINISHES FOR PRODUCTS SHOWN ON THIS PAGE (see General Information section for finish chart)
BL (Black) **C** (Clear Anodized) **D** (Dark Bronze Anodized) **G** (Gold Anodized)
Special finishes available upon request