

Electromagnetic Door Holder/Releases Wall Mounted Model 994 & 996

Model 994

Application

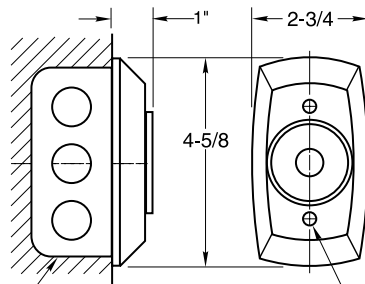
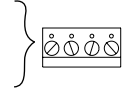
Wall Mount
Adjustable Armature
Concealed Wiring
ANSI/C00011

Product Description & Features

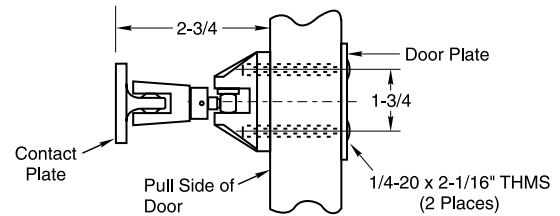
- Total Projection: 3-3/4" (95mm)
- Adjustable armature rotation up and down, back and forth for better alignment.
- Cannot be use with 900 base or spacers.
- Can be used without adjustment piece making it a model 997
- Mounting Requirements:
2" x 4" x 2-1/2" (51 x 102 x 64mm) outlet box
- Wall must be properly reinforced and outlet box adequately fastened

Technical Information

- Voltage and Current:
 - 120VAC, 60Hz., .020 amp
 - 24VAC/DC, 60Hz., .020 amp
 - 12VDC, .040 amp
- For 50-55 lbs. of holding force, specify voltage
 - 120VAC, 60Hz. .017 amp
 - 24VAC, 60Hz. .080 amp
 - 24VDC, .068amp
 - 12VDC, .180amp
 - 240VAC, 50/60Hz. .009 amp
- Shipping Weight: 2 lbs. (0.9 kg)



10-32 x 1-1/2" Flat Head Self-Tapping Screws (2 Places)



Model 996

Application

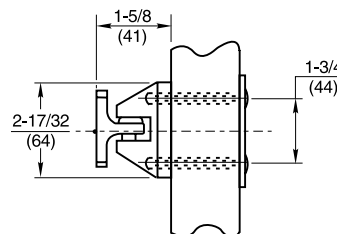
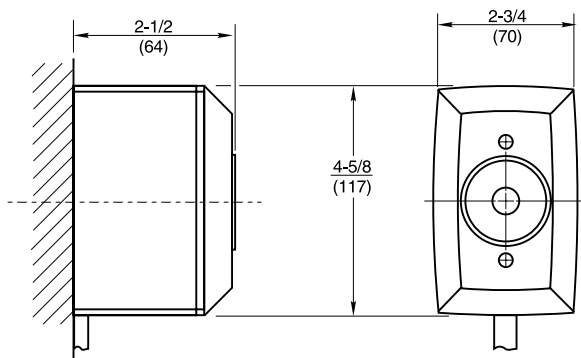
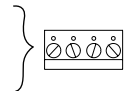
Wall Mount
Surface Wiring
ANSI/C00011

Product Description & Features

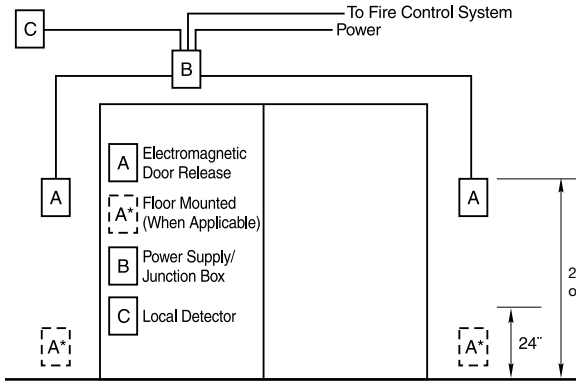
- Total Projection: 4-1/8" (105mm)
- Mounting Requirements:
1-1/2" (38mm) deep adapter housing
- Wall must be properly reinforced

Technical Information

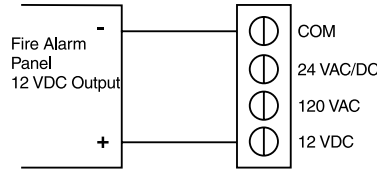
- Voltage and Current:
 - 120VAC, 60Hz., .020 amp
 - 24VAC/DC, 60Hz., .020 amp
 - 12VDC, .040 amp
- For 50-55 lbs. of holding force, specify voltage
 - 120VAC, 60Hz. .017 amp
 - 24VAC, 60Hz. .080 amp
 - 24VDC, .068amp
 - 12VDC, .180amp
 - 240VAC, 50/60Hz. .009 amp
- Shipping Weight: 3 lbs. (1.4 kg)



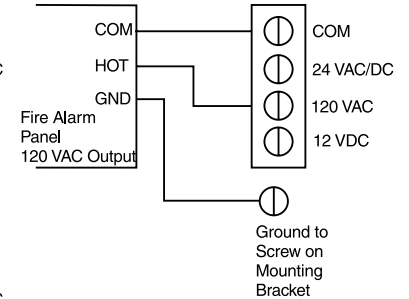
Schematics



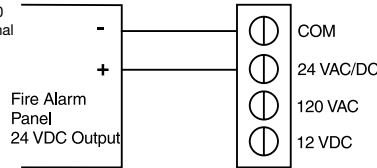
12 VDC Wiring



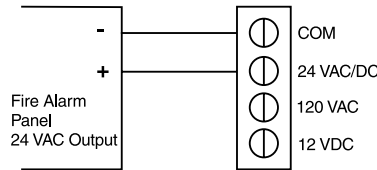
120 VAC Wiring



24 VDC Wiring



24 VAC Wiring



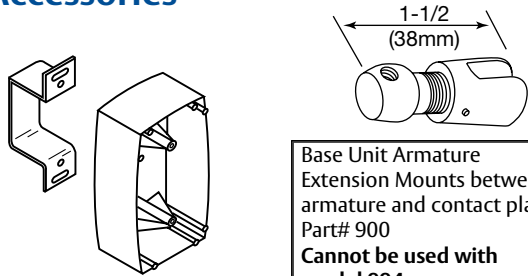
Electrical Specifications:
 12 DC @ .040AMPS
 24 VAC/DC @ .020 AMPS
 120 VAC @ .020 AMPS
 (or see specific model)

NOTE: All wiring must be installed in compliance with the National Electrical Code and the local codes having jurisdiction. Proper wire gauge should be used.

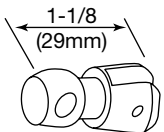
Operation Narrative

Doors are to be normally held open. The electromagnetic door releases will be energized with the voltage shown (at right) in the hardware set for this opening. Power shall be controlled by the fire control system. It will interrupt the power if alarmed, causing the doors to be released, thus allowing the door closers to close the doors. When power is restored the magnets will re-energize, permitting the doors to be manually returned to their held open position.

Accessories



1-1/2" (38mm) Extension
 (for use only with Models 997, 998 & 994)
 Mounts behind wall cover.
 XK996
 Part# 996631-*



1-1/2" (38)
 Armature Extension 90° Bend
 Part# 900-Z
Must be used with 900 base unit. Those two pieces will extend armature 3" longer than the contact plate.

Spacer lengths – must be used with 900 base

900-700	For dimensions, see chart below	900-75
900-600		900-50
900-500		
900-400		
900-300		
900-200		
900-100		

Extension pieces must be used in conjunction with 900 Base Unit
Part# 900-700 = 7"
Part #900-600 = 6"
Part# 900-500 = 5"
Part# 900-400 = 4"
Part# 900-300 = 3"
Part# 900-200 = 2"
Part# 900-100 = 1"
Part# 900-75 = 3/4"
Part# 900-50 = 1/2"