



(DPS) Door Position Switches

(DPS-W, DPS-M, J-1055) Door Position Switches

Application - Used to monitor the status of a door or to provide an initiate signal to Securitron's model XDT delayed exit logic timers.

DPS-W Concealed Door Position Switch for Wood Doors

Both components require drilling a 3/4" (19mm) diameter hole in the door and frame directly opposite one another. The DPS-W style is a Normally Closed switch (SPST). The distance depends on the door type and gap between the door and frame but is in the 1/2"-3/4" range (12-18mm). Includes a magnetic switch and a cylindrical permanent magnet.

DPS-M Concealed Door Position Switch for Metal doors

Both components require drilling a 3/4" (19mm) diameter hole in the door and frame directly opposite one another. The large magnet is needed to overcome the shielding effect of a steel door. The DPS-M style is a Normally Closed switch (SPST). The distance depends on the door type and gap between the door and frame but is in the 1/2"-3/4" range (12-18mm). Includes a magnetic switch and a cylindrical permanent magnet.

Specification Data

Operating Temperatures: -40 to +150F [-40 to +65C]
Switching Current AC/DC (max): 0.4A
Warranty: MagnaCare Lifetime Replacement Warranty

How to Order

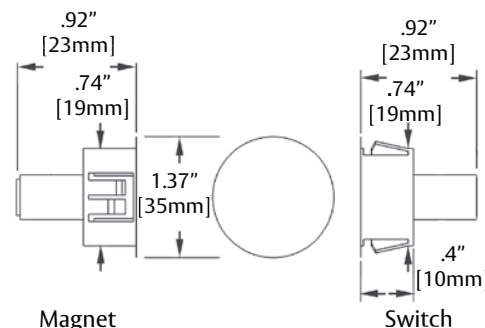
Part #	Description
DPS-W-BK	Door Position Switch - Wood Door, Black
DPS-W-GY	Door Position Switch - Wood Door, Gray
DPS-W-WH	Door Position Switch - Wood Door, White
DPS-M-BK	Door Position Switch - Metal Door, Black
DPS-M-GY	Door Position Switch - Metal Door, Gray
DPS-M-WH	Door Position Switch - Metal Door, White



DPS-W-BK



DPS-M-BK



Magnet

Switch



J-1055-04F Concealed Door Position Switch for Wood doors

This is an economical and versatile door contact that fits into the smaller spaces. The J-1055-04F should be used on wood doors as the proximity of ferrous materials usually reduces sensing range – typically by 50%. Both components require drilling 1/4" diameter hole in the door and frame directly opposite one another. The J-1055-04F is a Normally Closed switch (SPST) but has a hard wire that can be soldered to obtain a Normally Open contact (SPDT).

Specification Data

Operating Temperatures: -40 to +150F [-40 to +65C]
Switching Current AC/DC (max): 0.5A
Warranty: MagnaCare Lifetime Replacement Warranty

How to Order

Part #	Description
J-1055-4F	Door Position Switch - Wood Door

